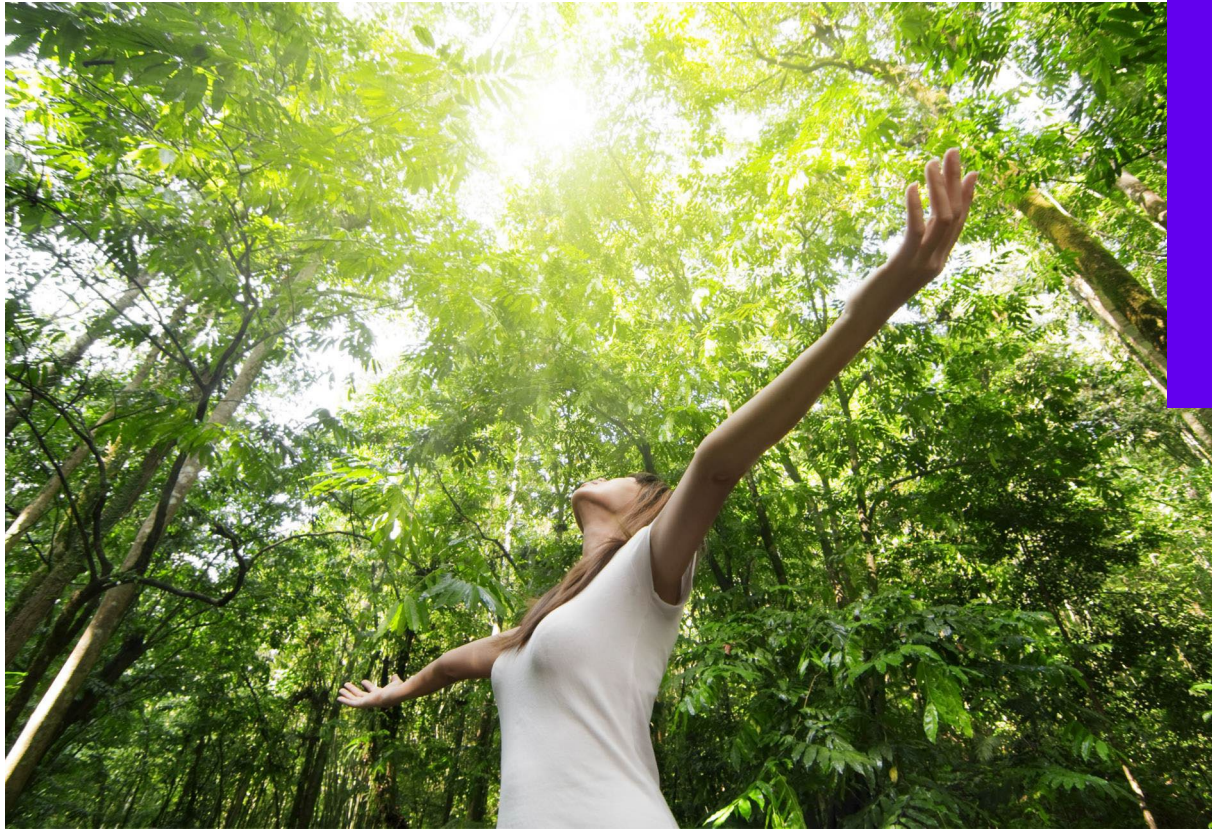
 Co-financed by the Connecting Europe
Facility of the European Union

 INTERPROC

ESPD WG: PEPPOL BIS ESPD 3.0



WE ARE
GETTING
CONNECTED

November 4, 2022

Agenda



1. Introduction and agenda
2. Overview, current status & challenges
3. Handover to PEPPOL
4. AOB

European Single Procurement Document (ESPD)

- The ESPD is a **standardised** self-declaration of the potential supplier's financial status, abilities and suitability for a public procurement procedure.
- The ESPD is a **legal requirement** throughout the EU/EEA for tenders with an estimated value equal to or higher than the thresholds for European publication, introduced in article 59 of the Public Procurement Directive 2014/24/EC.
- Commission Implementing Regulation (EU) 2016/7 establishes the **standard form for the ESPD**.
- The ESPD can be used as a **standalone document** but is most frequently used together with other procurement documents. It is typically **built-in as an integral part of procurement systems** used in European public procurement processes.

European Single Procurement Document (ESPD)

- Provides a standardized way for:
 - a **Contracting Authority (CA)** (the buyer) to express their procurement objective, complete with applicable Exclusion Grounds and Selection Criteria relevant for the procurement procedure in an **ESPD Request**, and for
 - an **Economic Operator (EO)** (the seller) to respond to the stated Exclusion Grounds and Selection Criteria in an **ESPD Response**.

European Single Procurement Document (ESPD)

- The **ESPD Request** will typically be made available by the CA as part of the call for tender documents.
- The **ESPD Response** will typically be made available by the EO as part of its tender.
- The ESPD Request and ESPD Response may however also be exchanged as independent business transactions.

European Single Procurement Document (ESPD)

- ESPD Part I: Procurement procedure and buyer
- ESPD Part II: Economic Operator
- ESPD Part III: Exclusion grounds
- ESPD Part IV: Selection criteria
- ESPD Part V: Reduction of the number of qualified candidates
- ESPD Part VI: Concluding statements

European Single Procurement Document (ESPD)

- EC has developed a data model and 'semantic assets' for the exchange of the ESPD between any procurement stakeholder's system and it maintained by the Publications Office
- ESPD-EDM (Exchange Data Model)
- version 3.0.1

Road Map



A little bit of history...

- PEPPOL LSP project (2008-2012) and Virtual Company Dossier (VCD: interoperable electronic document solution to support the exchange of evidences across borders.
- e-SENS LSP project (2013-2017) VCD/ESPD implementation intended to support the creation of artifacts needed for the qualification procedures in pre-award, awarding and post-award processes.
- ESPDint CEF funded action (2017-2019) and other CEF funded actions: ESPD implementations according to ESPD-EDM and ESPD BIS

Peppol ESPD BIS WG

- Last f2f pre-award community meeting in October 2019
- Discussed and DFØ prepared a mandate proposal for a Peppol ESPD BIS WG that was approved early 2020
- The purpose of the Peppol BIS is to facilitate for service providers to implement ESPD functionality according to regulations, standards and community consensus.

INTERPROC Action

- CEF funded action: 1/5/2021-30/4/2022 (will most probably be extended by 6 months)
- The main objectives of the Action are to:
 - implement eForms
 - develop a Contract Register
 - update procurement services **with the latest version 3 of the ESPD EDM** and establish interconnection between the ESPD services and national databases and eCertis (Activity 6)
 - implement in the German and Portuguese eTendering systems additional pre-award profiles.
- Coordinator: DFØ
- Participants from Norway, Germany, Greece, and Portugal
- <https://site.vortal.biz/interproc/>

INTERPROC Action: ESPD activity

- Activity 6: Implementation of ESPD services
- The objective of the activity is to **prepare the analysis and technical specifications** and to **upgrade** existing ESPD services to the latest version 3 of the ESPD-EDM.
- The ESPD services will be connected to eCertis and also to national databases for the retrieval of evidences, where this is relevant.

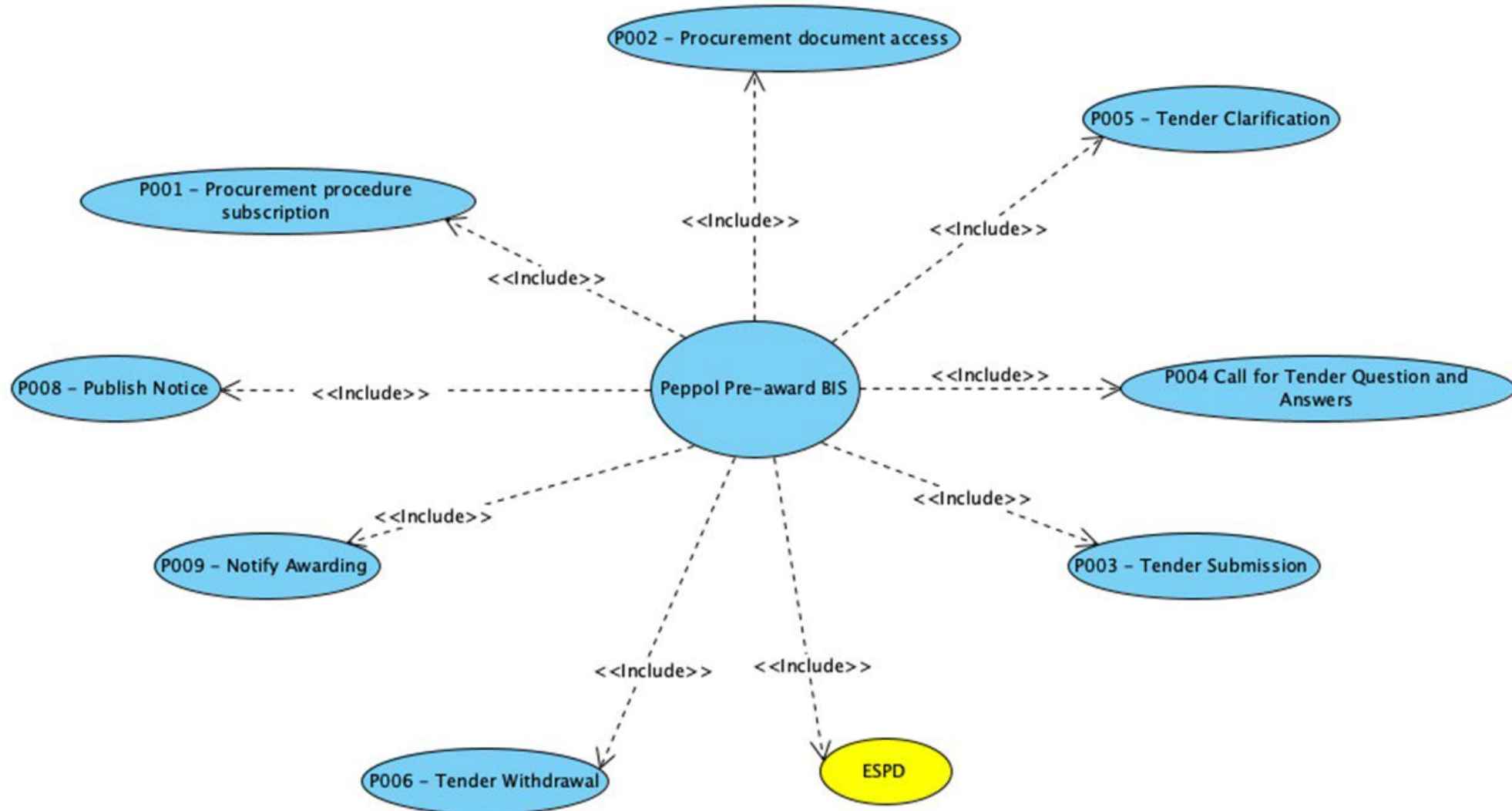
INTERPROC Action: ESPD tasks

- **Task 6.1: Business Requirements and Usage Scenario Design**
- **Task 6.2: Development of ESPD profiles**
- Task 6.3: Implementation and put into production new or updated ESPD services
- Task 6.4: Interconnection of the ESPD services with national databases
- Task 6.5: Conformance, documentation and handover for production

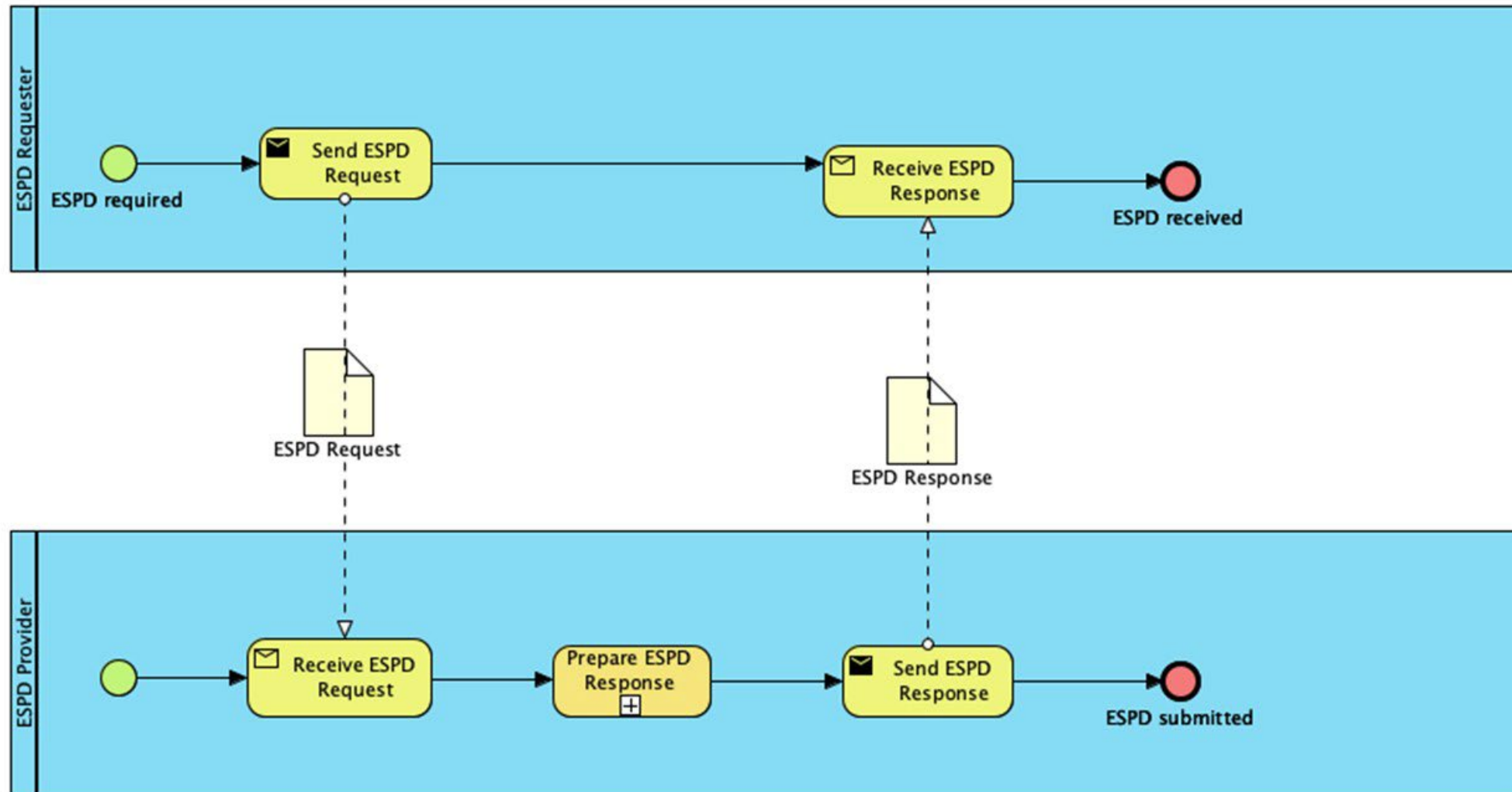
INTERPROC Action: ESPD profile

- Task 6.2: Development of ESPD profiles
 - This task will make use of the analysis and requirements elaborated under Task 6.1 and will develop **fully implementable specifications** including **transaction, information requirements, business rules, syntax** and an **optional transport binding to the Peppol eDelivery Network**.
 - The **specifications** will be made available to the **Peppol pre-award community** for review, possible revision and eventual adoption as a Peppol BIS.

Available Peppol BIS in the pre-award domain



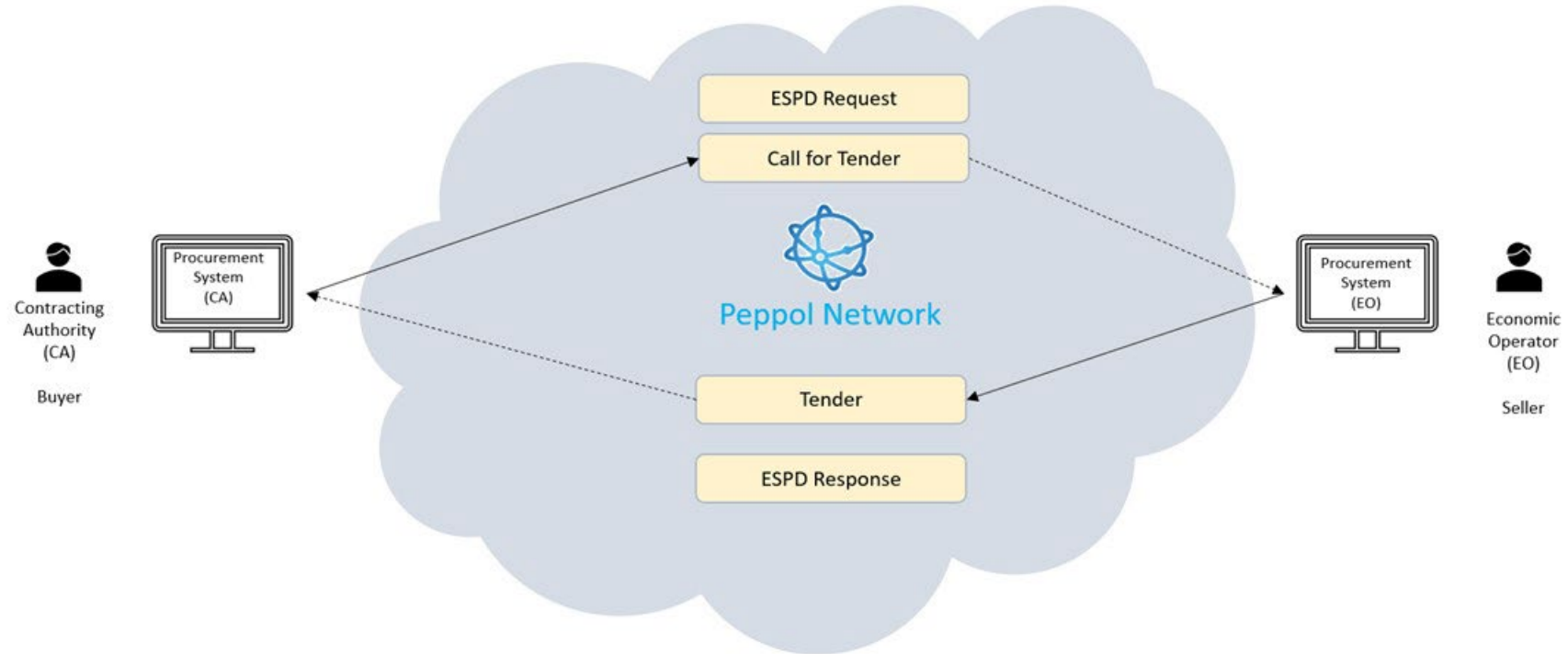
ESPD business process



ESPD business process

- An ESPD Requesting Party, typically a CA, sends or makes an ESPD Request available to the ESPD provider, typically an EO.
- The ESPD provider prepares the ESPD Response and send or makes the ESPD Response available to the ESPD requester.
- Pre-condition: The ESPD requester, typically a CA, needs an ESPD as part of a procurement procedure.
- Post-condition: The ESPD Requesting Party, typically a CA, has received an ESPD Response

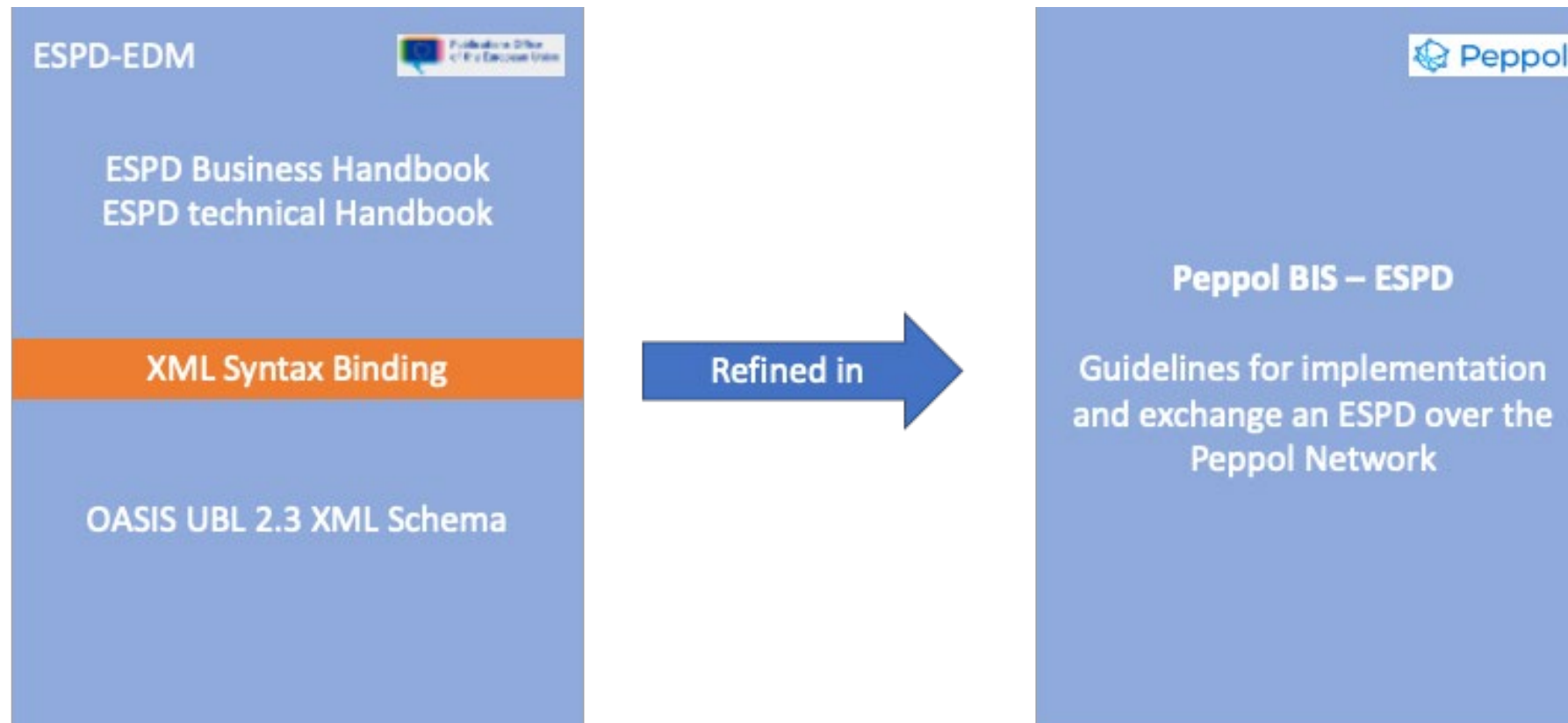
Application context for the exchange of ESPD Request & ESPD Response



ESPD BIS

- The Business Interoperability Specification (BIS) document is based on:
 - the ESPD-EDM version 3.0.1 published by the Publications Office and
 - BIS 41 (based on ESPD EDM v2.x.x) developed by ESPDint.
- The ESPD-EDM is licensed under the terms of EUPL-1.2 license.
- ESPD BIS:
 - Profile
 - Transactions
 - ESPD Request
 - ESPD Response

Relationship between the ESPD-EDM and ESPD BIS



ESPD BIS development approach

- Gap analysis between of ESPD EDM v2.x.x and v3.0.x
 - Actually, in the ESPD EDM v3.x.x technical handbook there are reference links pointing out directly to the reference codes of the business rules that are documented in the BIS 41.
- Identification of the sources

ESPD BIS development approach

- Review of ESPD BIS 41
 - Check for missing business rules
 - Check for incorrect business rules
 - Check for extra business rules
- Business rules grouped in 3 categories
 - Common rules
 - ESPD Request rules
 - ESPD Response rules
 - BIS 41 rules used as a basis

ESPD BIS development approach

- Semantic model and syntax binding
 - UBL 2.3
 - Approach with iterations
 - Start with initial message structure (business rules, semantic model, syntax binding), and documentation
 - MVP (minimum viable product)
 - Validation rules will start with a shallower approach (criteria and structure), and gradually evolve into a complete structure representation
 - What is not there yet is the full requirement group/question group criterion structure

ESPD BIS development approach

- Codelists used are the same ESPD-EDM v3 provides
 - Transformation of GC XML codelists to YAML files that can be read from the PDK tool
- New rules alongside with rules from the ESPD BIS 41 and the ESPD EDM V3.x.x were combined into one set of Schematron files.

ESPD BIS development approach

- Management of ESPD via GitHub repository
- Transfer ESPD profile into PEPPOL format using ASCII Doc
 - ESPD-EDM v3.01.
- Syntax Mapping of ESPD-EDM to OASIS UBL v2.3
 - urn:oasis:names:specification:ubl:schema:xsd:QualificationApplicationRequest-2
 - urn:oasis:names:specification:ubl:schema:xsd:QualificationApplicationResponse-2
- Development of additional artifacts like Examples, Schematron Rules, etc.

What do we have available for ESPD BIS

- Business requirements with reference to goals
- Information content in the ESPD Request & Response
- Business rules and validation
- Schematron files for validation
- Semantic data types and code lists

ESPD BIS

- BIS documentation
 - Introduction to OpenPeppol and BIS
 - The ESPD
 - The ESPD business process
 - Information content in the ESPD Request and Response
 - Business rules and validation
 - Semantic datatypes
 - Code lists
 - BIS identifiers

Challenges

- Updates of the Publication Office
- ...

Handover to Peppol

- Need to initiate the process

A solid blue vertical bar on the left side of the slide.

Questions?

Thank you!!!



INTERPROC

Trans European
eProcurement
Interoperability.

**WE ARE GETTING
CONNECTED.**



Co-financed by the Connecting Europe
Facility of the European Union



Co-financed by the Connecting Europe
Facility of the European Union